

## 325

### Suspension Shock Mount for RE1000

- Excellent isolation from mechanical vibration
- Optimized design for the RE1000
- This insert replaces foam insert to accommodate both microphone and shock mount within the RE1000 carrying case

---

#### Description and Application

---

The 325 shock mount is a high performance shock mount intended for use when excessive mechanical vibration is encountered. It is equally effective in an upright or hanging position. The unique gripping mechanism holds the microphone securely without requiring tools and without damaging the finish of the microphone. The stud on the rear of the shock mount accommodates the stand clamp originally provided with the microphone. The shock mount is also supplied with a new foam insert for the RE1000 carrying case, allowing the user to store the shock mount with the microphone.

---

#### Shock Mount Use

---

1. Screw stand adapter into stand or boom (standard 5/8-27 thread). Position the adapter to the desired location.
2. Slide the shock mount into the stand adapter.
3. Slide the shock mount forward. Position the shock mount to the desired angle and tighten the threaded knob on the stand adapter.

4. To position the RE1000 in the shock mount, slide the connector end of the microphone into the compression holder. The threaded cap must be loose for the microphone to fit into the rubber.

---

#### Replacement parts

---

Should the rubber suspensory ligaments (shock cords) wear out through excessive use, deteriorate due to atmospheric conditions, or in any way change, new ones may be ordered from Electro-Voice, Inc., Buchanan, MI 49107, attention: Miscellaneous Parts Department. Request part number 16696. You will be billed for the cost.

---

#### Uniform Limited Warranty Statement

---

Electro-Voice products are guaranteed against malfunction due to defects in materials or workmanship for a specified period, as noted in the individual product-line statement(s) below, or in the individual product data sheet or owner's manual, beginning with the date of original purchase. If such malfunction occurs during the specified period, the product will be repaired or replaced (at our option) without charge. The product will be returned to the customer prepaid. **Exclusions and Limitations:** The Limited Warranty does not apply to: (a) exterior finish or appearance;

(b) certain specific items described in the individual product-line statement(s) below, or in the individual product data sheet or owner's manual; (c) malfunction resulting from use or operation of the product other than as specified in the product data sheet or owner's manual; (d) malfunction resulting from misuse or abuse of the product; or (e) malfunction occurring at any time after repairs have been made to the product by anyone other than Mark IV Audio Service or any of its authorized service representatives. **Obtaining Warranty Service:** To obtain warranty service, a customer must deliver the product, prepaid, to Mark IV Audio Service or any of its authorized service representatives together with proof of purchase of the product in the form of a bill of sale or receipted invoice. A list of authorized service representatives is available from Mark IV Audio Service at 600 Cecil Street, Buchanan, MI 49107 (800-234-6831 or FAX 616-695-4743). **Incidental and Consequential Damages Excluded:** Product repair or replacement and return to the customer are the only remedies provided to the customer. Electro-Voice shall not be liable for any incidental or consequential damages including, without limitation, injury to persons or property or loss of use. Some states do not

## Model 325 Suspension Shock Mount

allow the exclusion or limitation of incidental or consequential damages so the above limitation or exclusion may not apply to you.

**Other Rights:** This warranty gives you specific legal rights, and you may also have other rights which vary from state to state.

**Electro-Voice Accessories** are guaranteed against malfunction due to defects in materials or workmanship for a period of one (1) year from the date of original purchase. Ad-

ditional details are included in the Uniform Limited Warranty statement.

### Specifications

#### Material:

Steel and Cycolac

#### Finish:

Black and Chrome

#### Dimensions:

120 mm (4.72 inches) wide

115 mm (4.53 inches) deep

115 mm (4.53 inches) tall

#### Suspension:

Molded neoprene cords  
(E.V. p/n 16696)

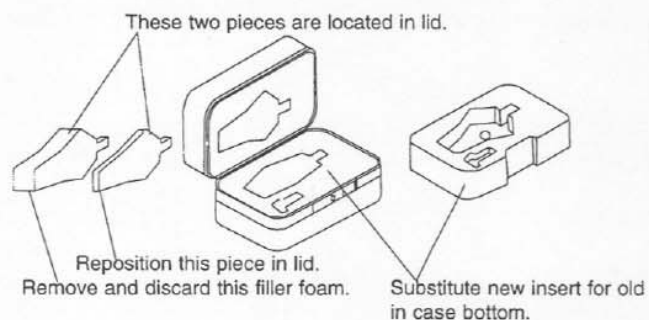
#### Weight:

273 grams (9.6 ounces)

#### Shipping weight:

515 grams (18 ounces)

### INSTALLING FOAM INSERT



# Electro-Voice®

a MARK IV company

600 Cecil Street, Buchanan, MI 49107

800/234-6831, 616/695-6831, 616/695-1304 Fax

Microphone Accessories

Part Number 533465-9624